

SupIR 28-850mm f/5.5, Motorized Continuous Zoom 680072*



HD
FORMAT

WFOV(28mm)

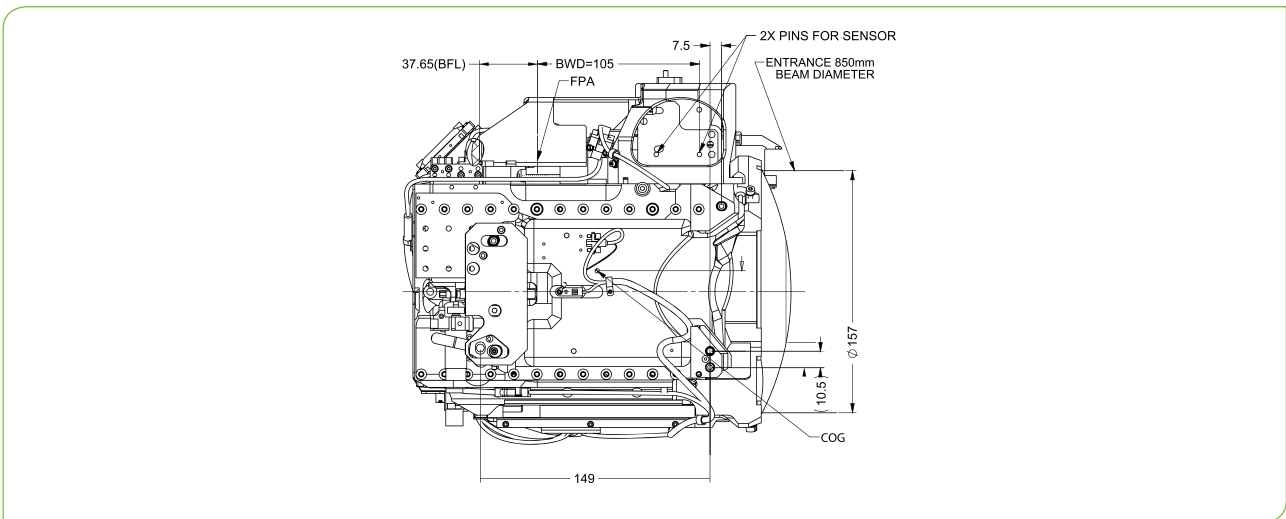
HFOV	640x512	1280x1024
15μ	19.8°	39.8°

NFOV(850mm)

HFOV	640x512	1280x1024
15μ	0.6°	1.3°

Property	Value	
Optical	WFOV	NFOV
Focal Length	28mm	850mm
F/#	5.5	
Average Transmission (3.4-5μm)	76% (HD)	
Cold Stop to FPA Distance	28mm	
Cold Stop Ca	Ø5.09mm	
Back Focal Length	≥37.6mm in air	
Minimum Focus Range	3m	50m
Nuc (by defocus)	Yes	
Mechanical		
Focus Mechanism	Motorized	
Focus Time (minimum range to ∞)	≤8 sec.	
Zoom Mechanism	Motorized	
Zoom Time (NFOV to WFOV)	≤8 sec.	
Weight	4.6kg	
Max. Dimensions	Length 256mm; Width 176mm; Height 257.5mm	

* Requires export license



MWIR | ZOOM

Property	Value
Electrical	
Lens Control	Designated lens controller
Supply Voltage	28VDC
Current Consumption	1.25A average, 2.5A peak
Communication Protocol	RS422
Environmental	
Operating Temperature	-20°C to + 65°C
Storage Temperature	-54°C to + 71°C
Sealing	Unsealed
Configurations	
680072-010	High Durability 640X512 15u pitch, CSH = 28mm, Landscape
680072-011	High Durability 640X512 15u pitch, CSH = 28mm, Portrait
680072-012	High Durability 1280X1024 15u pitch, CSH = 28mm, Landscape
680072-013	High Durability 1280X1024 15u pitch, CSH = 28mm, Portrait
680072-014	High Durability 640X512 15u pitch, CSH = 28mm, Landscape
680072-015	High Durability 1280X1024 15u pitch, CSH = 28mm, Landscape

* NOTE: The ICD drawing provided here is primarily a representation and may not accurately reflect the product's actual dimensions and specifications. For precise integration specifications contact your local sales representative.